



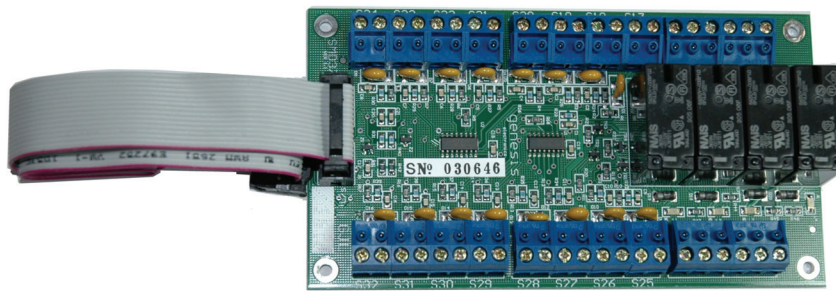
I/O Expander Unit

GEN-020

The GEN-020 I/O Expander provides a cost effective method of adding 16 inputs and 4-relay outputs to the Master Panel, or GEN-010 16-input expander unit.

The I/O Expander provides 16-DEOL monitored inputs as well as 4-high current fully programmable relay outputs. Each input provides four state monitoring to ensure the highest level of security. The ability to specify the end of line values on each input make it incredibly simple to upgrade existing sites.

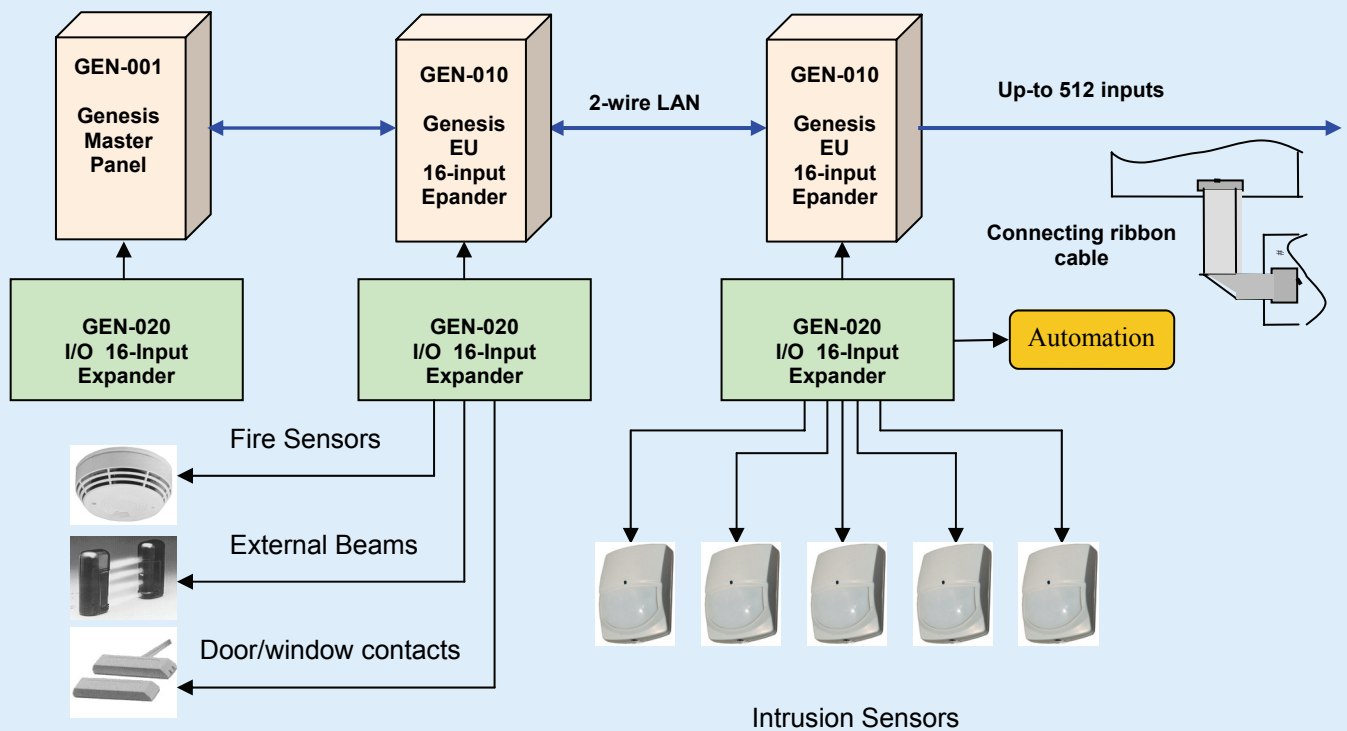
Each input is totally configurable. It could be an alarm point that triggers the dialer, it could control the air conditioning or lights.



GEN-020 I/O Expander provides

- ◆ 16 x 4-state DEOL monitored inputs
- ◆ 4 x programmable relay outputs
- ◆ Quick connect ribbon cable
- ◆ Mounts in the master panel cabinet

I/O-Expander layout



The GEN-020 I/O Expander connect to the Master Panel and the GEN-010 Expander

I/O-Expander	Specifications
Size	75 x 145 x 40mm
Shipping weight	0.2 kg (200mg)
Shipping dimensions	112 x 175 x 50mm
Environmental	-15 to + 50 C, 10 to 90% RH non-condensing
Inputs	
Onboard	16 x 4-state monitored
Outputs	
Onboard	4 x Relays, 5Amp rating, at 12v to 24v
Connection	1 x Connection ribbon cable

Genesis Electronics Australia Pty Ltd

F3, 2-4 Laser Drive, Rowville, Victoria 3178 Australia
 Phone: +61 3 9763 4359 Fax: +61 3 9763 4098
www.genisiselectronics.com.au
info@genisiselectronics.com.au

Distributed by:



NZ

ISO 9001-2000

